

公司荣誉 Company Honors

公司是湖南省“高新技术企业”、“湖南省推进新型工业化‘双百’工程项目企业”、湖南省“重点建设项目”企业、湖南省2010年度“小巨人”计划企业、长沙市“成长之星”企业、湖南省著名商标，分别是湖南省科技厅和长沙市科技局的“科技计划项目企业”，2008年和2009年有4个项目获科技部“科技型中小企业技术创新基金”中立项支持。

CHTC JOVE Heavy Industry Co., Ltd. is a high-tech group in China. CHTC JOVE is the member of Double-hundred New Industrialization plan, Provincial Priority Support Company and also the super new star in China construction machinery industry. JOVE brand is listed on China famous brand. We have 4 projects getting political and financial support from the national Ministry of Science and Technology in 2008 and 2009.



权威认证 品质保证 Authority Certification, Quality Assurance

公司按照 GB/T19001-2000idt ISO9001: 2000 质量管理体系标准，建立、实施和保持质量管理体系，已获得《ISO9001 质量管理体系认证证书》、申请专利 300 多项，178 项已获授权；公司先后承担国家级、省级科研项目 20 多项，多次获得政府知识产权方面的奖励，科技创新成果居国内领先，多项产品获国家标准化委员会颁发的《采用国际标准产品标志证书》。

In accordance with GB/T19001-2000idt ISO9001: 2000 quality management system standards, our company establish, implement and maintain the quality management system. We have obtained "ISO9001 quality management system certification", applied for 300 patents (more than 178 patents have been approved, and half of them are invention patents) and got intellectual property prizes. Scientific and technological innovation is moving ahead and a number of our products are awarded "Adopting International Standard Certificate" issued by the State Committee of Standardization.



高素质的研发团队 Advanced R & D Team

公司拥有高素质的技术开发团队，荟萃了一批国内外知名工程机械企业的精英人才，处于行业领先水平。取得多项专利证书，并与多所高校的产学研合作，为企业的可持续发展提供强有力的保证。

With a skilled technical development team and a number of well-known talents in construction machinery area, we are standing at the leading level. We get a number of patent certificates and cooperate with colleges and universities, which provide the sustainable development of our enterprises.



强大的营销服务网络 Efficient Marketing & Service Network

公司拥有强大的销售与服务队伍，以客户为首要服务目标。销售与服务网点布满中国及全世界各主要城市，形成了完善的销售与网络体系。恒天九五以最快捷的速度、最过硬的技能、最诚挚的态度迎来了每一位恒天九五产品用户的好评。

CHTC JOVE has strong sales and service teams. Sales and service outlets are in major cities in China and also around the world. With efficient service, excellent skills and sincere attitudes, CHTC JOVE gets very good reputation from customers.

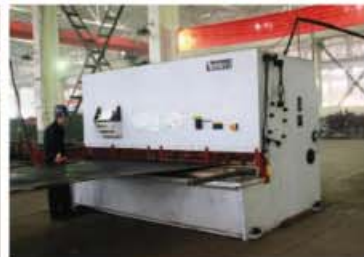
拥有一批世界先进机械加工与检测设备 Installed with world advanced testing and machining units



500T 折弯机 500T Bending Machine



等离子切割机 Plasma Cutting Machine



剪板机 Guillotine Shears



深孔镗 Deep Hole Boring



数控车床 NC Lathe



镗床 Boring Machine



磨床 Grinder



德国产激光切割机 German Laser Cutting



自动焊机床 Automatic Welding Machine



整机特点 Main Features

JVD 系列水平定向钻机是在充分吸收国内外同类产品优点的基础上研发的新型钻机。产品设计新颖、独特，技术达到国际先进水平。整机采用高性能配置，具有较高的性价比。

该机整体性能优越、外形美观、制作精细。采用液压先导控制及电液控制技术，操作方便、舒适。

采用三联泵系统，工作可靠，维修方便，维修成本低。

推拉系统采用高压齿轮泵驱动，承载能力强。

动力头采用双速系统，工作效率高。

该机外形紧凑，通过性能好，机器施工、转场运输灵活方便。

Horizontal Directional Drilling Rig has researched base on absorbing domestic and international advanced technology adequately. Unique design, top brands for key parts and also advanced technology make CHTC JOVE Horizontal Directional Drilling Rig reached top international level.

These two models have high reliability, excellent appearance and good assembly craftwork. We adopt hydraulic pilot control and electro-hydraulic control technology, convenience operation. Using Triple pump system ensures reliable performance, easy maintenance and low cost. The push-pull system has strong resistance ability which drives by high pressure gear pump.

The power head adopt double-speed system and ensures high work efficiency.

The compacted appearance insures high across ability, convenient move between jobsites.

用途 Functions

JVD 系列水平定向钻机是基于先进的“非开挖技术”理念设计开发的新型地下管道施工工程机械，该设备采用全液压及动力驱动技术，实现钻具的推进、回转、回扩、回拖及行走装置驱动等功能，主要用于穿越铁路、公路、建筑物、河流、以及在文化保护区、闹市区及农作物和植被保护区等不易开挖的条件下，进行供水、煤气、电力、电讯电缆、天然气、石油等管线的铺设和维护。

Horizontal Directional Drilling Rig is new underground pipe construction machinery which based on the advanced theory of the trenchless technologies. With whole hydraulic control technologies and power-drive technologies, it achieves drilling, rotating, pushing broaching, pullback, moving and other function easily. It widely used in cross the railway, road, building, river, downtown area, other construction-limited area, agriculture crops, for construction and renewing water supplying, coal gas, electronic, telecommunication, natural gas, etc.



银川施工现场
Jobsite in Yinchuan



湖南郴州施工现场
Jobsite in Chenzhou Hunan



河北沧州施工现场
Jobsite in Cangzhou Hebei



结构特点 Structure Advantages

更高的作业生产率 更低的燃油消耗
Drilling Efficient and Energy Saving

发动机系统 Engine System

东风康明斯工程机械专用发动机，功率充足，适应恶劣工作环境作业，具备高可靠性能和低油耗的优点。

Cummins engine; It can meet complicated jobsites construction demand. The engine also has high reliability and low energy consumption.



泥浆泵 Mud System

采用行业知名品牌泥浆泵，具有四种流量和四种压力，可适用不同孔径的钻进和回拖。采用液压马达驱动，运转平稳输出压力高，性能稳定。

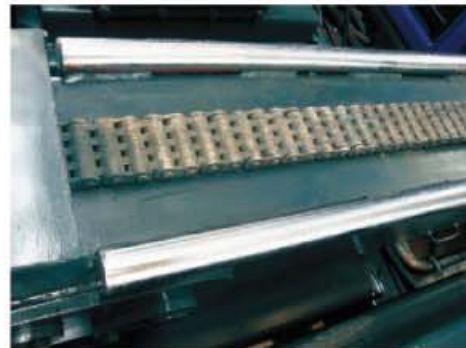
Adopt model mud pump which has 4 flow quantities and 4 level pressures. So it can meet different diameter holes drill and pullback. The hydraulic motor drives the system, offering high pressure and stable performance.



行走系统 Travel System

采用与挖掘机系统一致的支重轮、引导轮、托链轮、驱动齿以及张紧弹簧，质量可靠耐用性更好。橡胶履带或钢履带挂橡胶履带板，不损伤路面。大扭矩驱动马达，爬坡能力强。

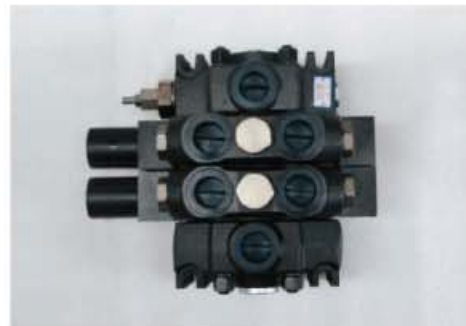
Use the same system like excavator system's support wheel, guide wheel, track idler, driving ring and spring. Rubber crawler has no destroy to the road. Huge torque motor ensures strong grade ability.



主臂、推拉装置 Main Boom, Pushing and Pullback Device

主臂采用抬升机构，使机器运行平稳，行走时具有最大的接近角和离去角。小吨位采用油缸链条；大吨位采用齿轮齿条推拉装置，运动平稳，推进力大，维修方便，结构可靠。

The main boom used lift mechanism and ring rail way, which keep the machine's stable operation. And have big approach angle and departing angle. Pushing broaching and pullback device use cylinder and chain structure, offering stable move, huge push force, convenient maintenance and reliable structure.



主控制阀 Main Hydraulic Valves

采用大流量液压先导式控制阀，性能可靠。

Adopt imported and reliable high-flow hydraulic valves.



动力头 Power Head

采用国际知名名牌“伊顿”大扭矩摆线马达，动力输出更强劲。电液控制双速回转，操作方便。
The internationally-renowned "Eaton" large torque cycloid motors are used and the power takeoff is much stronger. The two-speed rotation is controlled in the electro-hydraulic way and it is easy to operate.



夹钳装置 Clamping Device

采用开环式夹钳结构，操作直观、方便可靠。
The open-loop clamping structure is adopted, making the operation intuitive, convenient, and reliable.



自动锚杆装置 Auto Anchor Device

全机械液压自动控制的锚杆装置，操作简单、方便，适用于松软地面作业。
The automatically-controlled hydromantic anchor device is easy and convenient to operate and is applicable to the work on the mellow ground.



自动换杆装置 Auto Rod Changing Device

可选配全自动或半自动换杆装置，操作方便，提高安全性，大大降低劳动强度。
Optional for auto or half-auto rod changing devices. It is easy to operate, the security is increased, and the labor intensity is greatly decreased.



发动机罩 Engine Bonnet

采用整体式玻璃钢机罩，流线型体，大方美观，采用双铰链可翻转式结构，维修保养方便。
The integral fiberglass reinforced bonnet is adopted with the streamline form, grace, and beauty. The dual-hinge rotatable structure is adopted and the maintenance is more convenient.



钻具、回扩头 Drill Tools, Pullback Head

采用高强度合金导向钻头、分动器以及整体式钻杆，可根据实际情况选用挤压式、切削式或流道式回扩器，经久耐用。
The high resistance alloy drilling bits, transfer devices, and integral drill pipes are adopted. Pressure-fed, extruded, cutting, or flow-passage pullback heads can be selected according to the actual situation and will last long.

水平定向钻机主要技术参数 Horizontal Directional Drilling Rig Main Technical Parameters

型号 Model	JVD200	JVD280	JVD320	JVD360	JVD380	JVD450	JVD500	JVD500
规格 Specifications								
发动机型号 Engine Model	东风康明斯 Cummins 6B7A5.9-C150 (112KW)	东风康明斯 Cummins 6B7A5.9-C180 (132KW)	东风康明斯 Cummins 6CTA8.3-C215 (150KW)	东风康明斯 Cummins 6CTA8.3-C240 (178KW)	东风康明斯 Cummins 6CTA8.3-C240 (178KW)	东风康明斯 Cummins 6CTA8.3-C260 (194KW)	东风康明斯 Cummins 6CTA8.3-C260 (194KW)	东风康明斯 Cummins 6CTA8.3-C260 (194KW)
整机重量 Total Weight (T)	8.9	9.6	11.5	12	12	13.5	14	49
整机外形尺寸 Overall Dimension (L×W×H) (mm)	6300×2100×2000	6500×2100×2000	7000×2235×2415	7000×2235×2415	7000×2235×2415	8000×2286×2775	8000×2380×2775	18000×3150×3400
系统电压 System Voltage (V)	24	24	24	24	24	24	24	24
操作性能 Operating Performance								
最大回拉力 Max Pullback (KN)	200	280	320	360	360	450	500	3580
最大扭矩 Max Torque (N·M)	7500	12000	14500	15000	15000	18000	20000	110000
主轴转速 Spindle Speed (r/min)	0~110	0~110	0~100	0~110	0~100	0~100	0~100	38(80)
入射角 Incident Angle (°)	8~20	8~20	8~20	8~20	8~20	8~20	10~20	8~18
行走速度 Travel Speed (km/h)	0~1.5	0~1.5	0~2.7	0~1.5	0~2.7	0~2.5	0~2.5	0~1.5
爬坡能力 Grade Ability (°)	25	25	25	25	25	20	20	20
钻头 Drilling Tools								
钻杆直径 Diameter of Drill Pipe (mm)	60	73	73	73	73	89	89	140
钻杆长度 Length of Drill Pipe (m)	3	3	3	3	3	4.5	4.5	9.6
回排孔直径 Backreaming Diameter (mm)	200~600	300~800	300~800	300~900	300~800	400~1100	400~1100	500~1400
泥浆泵 Mud Pump								
泥浆泵最大压力 Max Pressure (MPa)	9	9	8	8	8	8	8	8
泥浆泵最大流量 Max Flow Rate (L/min)	240	240	320	350	350	450	600	600
泥浆稀释系统(选配) Mud Mixing System(optional)								
泥浆系统类型 Mud System Type	箱体式 integral type	箱体式 integral type	箱体式 integral type	箱体式 integral type	箱体式 integral type	箱体式 integral type	箱体式 integral type	箱体式 integral type
泥浆罐容量 Mud Tank Capacity (m³)	2	2	3	3	3	3	3	3
泥浆罐外形尺寸 Dimension of Mud Tank (L×W×H) (mm)	2250×1300×1450	2250×1300×1450	2450×1400×1550	2450×1400×1550	2450×1400×1550	2450×1400×1550	2450×1400×1550	2450×1400×1550

■ 更高 更好 更强 更“钻”钱

更高的性能配置，更好的作业效率，更强的动力输出！



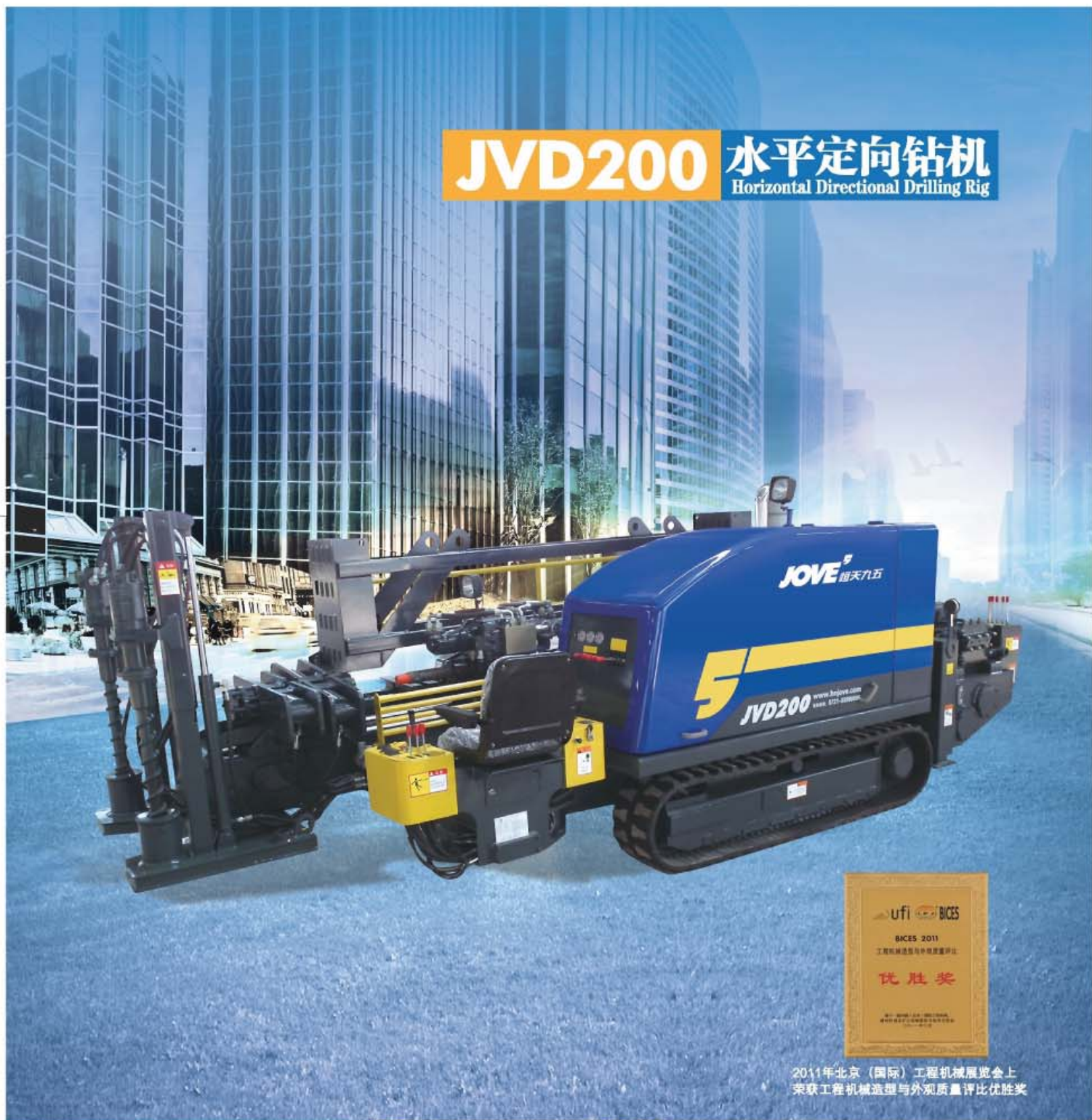
恒天九五水平定向钻机2011
年北京（国际）工程机械展
展会上荣获工程机械展金奖与
外销质量评比优胜奖



惠悦于民 恒达天下
FOR THE PEOPLE FOR THE LIFE

JVD200 水平定向钻机

Horizontal Directional Drilling Rig



2011年北京（国际）工程机械展览会上
荣获工程机械造型与外观质量评比优胜奖

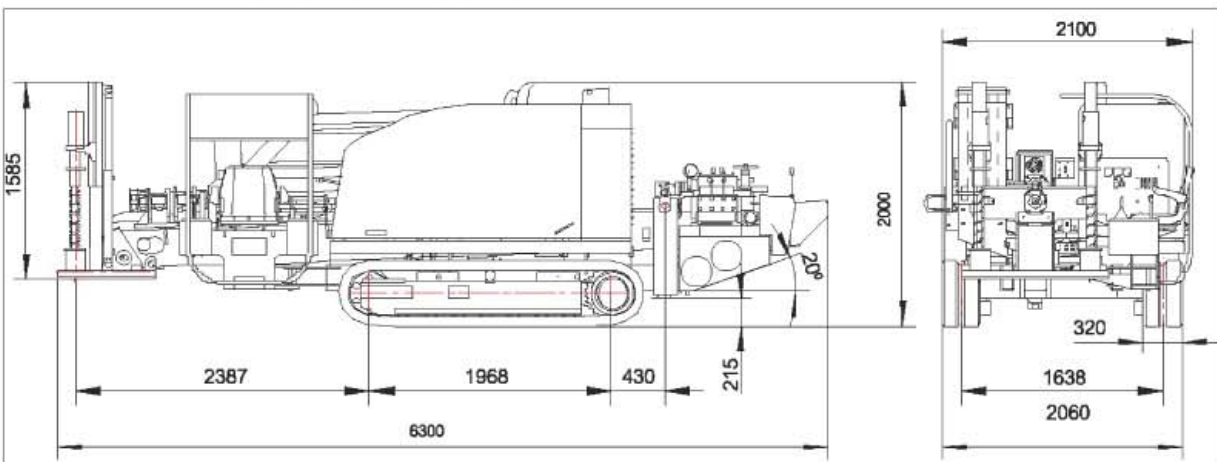
恒天九五重工有限公司
CHTC JOVE HEAVY INDUSTRY CO., LTD

主要技术参数 Main Technical Parameters

JOVE 恒天九五

规格 Specifications	
发动机型号 Engine Model	东风康明斯 Cummins 6BTA5.9-C180(132kW) / 6BTA5.9-C150(112kW)
整机重量 Total Weight (T)	8.7
整机外形尺寸 Overall Dimension (L×W×H) (mm)	6300×2100×2000
系统电压 System Voltage (V)	24
操作性能 Operating Performance	
最大回拖力 Max Pullback (KN)	200
最大顶进力 Max Thrust (KN)	160
最大扭矩 Max Torque (N·M)	7000
主轴转速 Spindle Speed (r/min)	0~110
入射角 Incident Angle (°)	10~20
行走速度 Travel Speed (km/h)	0~1.5
爬坡能力 Grade Ability (°)	25
钻具 Drilling Tools	
钻杆直径 Diameter of Drill Pipe (mm)	60
钻杆长度 Length of Drill Pipe (m)	3
回扩孔头直径 Backreaming Diameter (mm)	200~600
泥浆泵 Mud Pump	
泥浆泵最大压力 Max Pressure (MPa)	9
泥浆泵最大流量 Max Flow Rate (L/min)	240
泥浆调配系统(选配) Mud Mixing System	
泥浆系统型式 Mud System Type	整体式 Integral type
泥浆罐容量 Mud Tank Capacity (m³)	2
泥浆外形尺寸 Dimension of Mud Tank (L×W×H) (mm)	2250×1300×1450

整机外形尺寸 Overall dimension



恒天九五重工有限公司
CHTC JOVE HEAVY INDUSTRY CO., LTD

地址: 湖南长沙经济开发区东六路3号 邮编: 410100

☎ 0731-83990095 📠 0731-82398627 (国内业务)

✉ chtcjove@chtcjove.com

Address: No.3, Dongliu Rd. Changsha Economic Development Zone, Hunan, China. Post code: 410100

☎ 0086-731-82398696 📠 0086-731-82398697 (International business)

✉ international@chtcjove.com

www.chtcjove.com



JOVE
恒天九五

惠悦于民 恒达天下
FOR THE PEOPLE FOR THE LIFE

JVD280 水平定向钻机

Horizontal Directional Drilling Rig



2011年北京（国际）工程机械展览会上
荣获工程机械造型与外观质量评比优胜奖

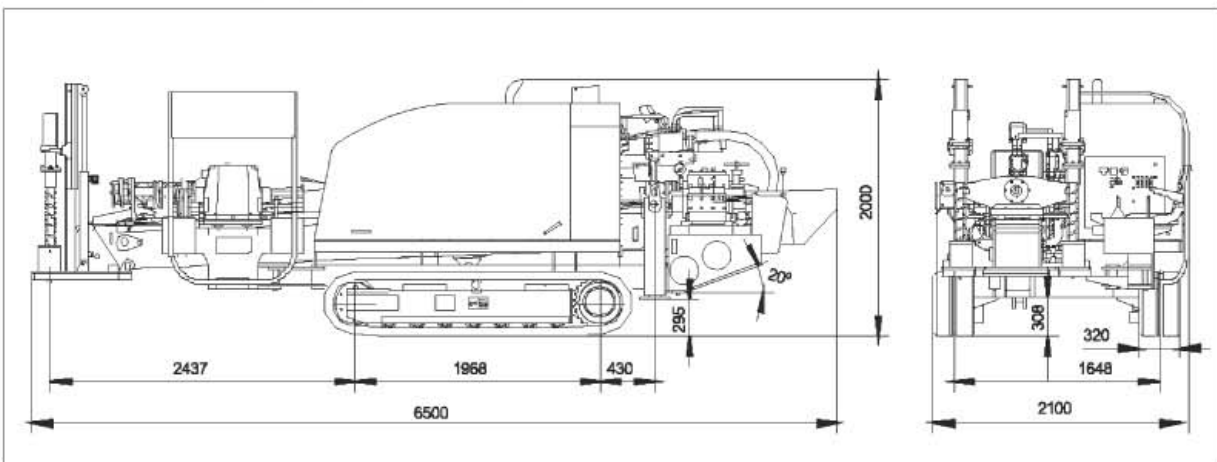
恒天九五重工有限公司
CHTC JOVE HEAVY INDUSTRY CO., LTD

主要技术参数 Main Technical Parameters

JOVE 恒天九五

规格 Specifications	
发动机型号 Engine Model	东风康明斯 Cummins 6BTA5.9-C180 (132kW)
整机重量 Total Weight (T)	8.9
整机外形尺寸 Overall Dimension (L×W×H)(mm)	6500×2100×2000
系统电压 System Voltage (V)	24
操作性能 Operating Performance	
最大回拖力 Max Pullback (KN)	280
最大顶进力 Max Thrust (KN)	202
最大扭矩 Max Torque (N·M)	9000
主轴转速 Spindle Speed (r/min)	0~110
入射角 Incident Angle (°)	10~20
行走速度 Travel Speed (km/h)	0~1.5
爬坡能力 Grade Ability (°)	25
钻具 Drilling Tools	
钻杆直径 Diameter of Drill Pipe (mm)	73
钻杆长度 Length of Drill Pipe (m)	3
回扩孔头直径 Backreaming Diameter (mm)	300~800
泥浆泵 Mud Pump	
泥浆泵最大压力 Max Pressure (MPa)	9
泥浆泵最大流量 Max Flow Rate (L/min)	240
泥浆混配系统(选配) Mud Mixing System	
泥浆系统型式 Mud System Type	整体式 Integral type
泥浆灌容量 Mud Tank Capacity (m³)	2
泥浆外形尺寸 Dimension of Mud Tank (L×W×H)(mm)	2250×1300×1450

整机外形尺寸 Overall Dimension



恒天九五重工有限公司
CHTC JOVE HEAVY INDUSTRY CO., LTD

地址: 湖南长沙经济开发区东六路3号 邮编: 410100

☎ 0731-83990095 ☎ 0731-82398627 (国内业务)

✉ chtcjove@chtcjove.com

Address: No.3, Dongliu Rd. Changsha Economic Development Zone, Hunan, China. Post code: 410100

☎ 0086-731-82398696 ☎ 0086-731-82398697 (International business)

✉ international@chtcjove.com

www.chtcjove.com



JOVE
恒天九五

惠悦于民 恒达天下
FOR THE PEOPLE FOR THE LIFE

JVD320 水平定向钻机

Horizontal Directional Drilling Rig



2011年北京（国际）工程机械展览会上
荣获工程机械造型与外观质量评比优胜奖

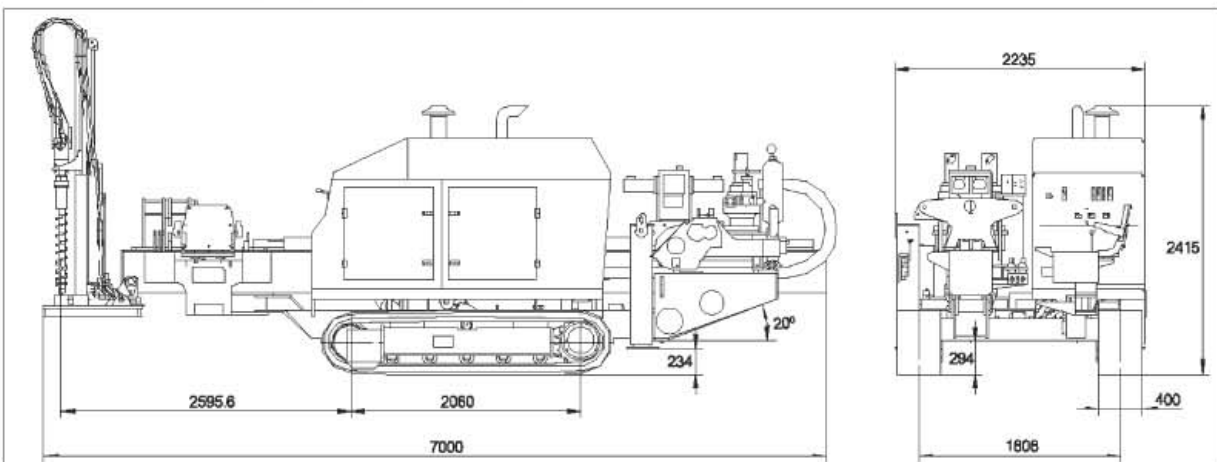
恒天九五重工有限公司
CHTC JOVE HEAVY INDUSTRY CO., LTD

主要技术参数 Main Technical Parameters

JOVE 恒天九五

规格 Specifications	
发动机型号 Engine Model	东风康明斯 6CTA8.3-C215 (160kW)
整机重量 Total Weight (T)	10.7
整机外形尺寸 Overall Dimension (L×W×H)(mm)	7000×2235×2415
系统电压 System Voltage (V)	24
操作性能 Operating Performance	
最大回拖力 Max Pullback (KN)	320
最大顶进力 Max Thrust (KN)	220
最大扭矩 Max Torque (N·M)	14500
主轴转速 Spindle Speed (r/min)	0~100
入射角 Incident Angle (°)	10~20°
行走速度 Travel Speed (km/h)	0~2.7
爬坡能力 Grade Ability (°)	25°
钻具 Drilling Tools	
钻杆直径 Diameter of Drill Pipe (mm)	73
钻杆长度 Length of Drill Pipe (m)	3
回扩孔头直径 Backreaming Diameter (mm)	300~900
泥浆泵 Mud Pump	
泥浆泵最大压力 Max Pressure (MPa)	8
泥浆泵最大流量 Max Flow Rate (L/min)	320
泥浆混配系统(选配) Mud Mixing System	
泥浆系统型式 Mud System Type	整体式 Integral type
泥浆罐容量 Mud Tank Capacity (m³)	3
泥浆外形尺寸 Dimension of Mud Tank (L×W×H)(mm)	2450×1400×1550

整机外形尺寸 Overall Dimension



恒天九五重工有限公司
CHTC JOVE HEAVY INDUSTRY CO., LTD

地址: 湖南长沙经济开发区东六路3号 邮编: 410100

☎ 0731-83990095 ☎ 0731-82398627 (国内业务)

✉ chtcjove@chtcjove.com

Address: No.3, Dongliu Rd. Changsha Economic Development Zone, Hunan, China. Post code: 410100

☎ 0086-731-82398696 ☎ 0086-731-82398697 (International business)

✉ international@chtcjove.com

www.chtcjove.com



惠悦于民 恒达天下
FOR THE PEOPLE FOR THE LIFE



2011年北京（国际）工程机械展览会上
荣获工程机械造型与外观质量评比优胜奖

JVD380 水平定向钻机

Horizontal Directional Drilling Rig



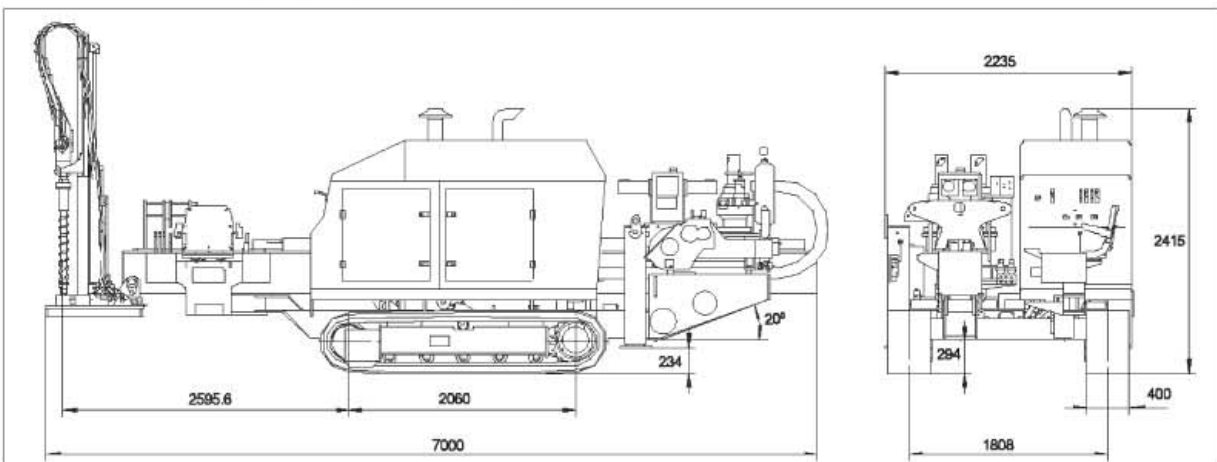
恒天九五重工有限公司
CHTC JOVE HEAVY INDUSTRY CO., LTD

主要技术参数 Main Technical Parameters

JOVE 恒天九五

规格 Specifications	
发动机型号 Engine Model	东风康明斯 6CTA8.3-C215 (160kW)
整机重量 Total Weight (T)	11
整机外形尺寸 Overall Dimension (L×W×H)(mm)	7000×2235×2415
系统电压 System Voltage (V)	24
操作性能 Operating Performance	
最大回拖力 Max Pullback (KN)	380
最大顶进力 Max Thrust (KN)	380
最大扭矩 Max Torque (N·M)	15500
主轴转速 Spindle Speed (r/min)	0~100
入射角 Incident Angle (°)	10~20
行走速度 Travel Speed (km/h)	0~2.7
爬坡能力 Grade Ability (°)	25
钻具 Drilling Tools	
钻杆直径 Diameter of Drill Pipe (mm)	73
钻杆长度 Length of Drill Pipe (m)	3
回扩孔头直径 Backreaming Diameter (mm)	300~900
泥浆泵 Mud Pump	
泥浆泵最大压力 Max Pressure (MPa)	8
泥浆泵最大流量 Max Flow Rate (L/min)	350
泥浆混配系统(选配) Mud Mixing System	
泥浆系统型式 Mud System Type	整体式 Integral type
泥浆罐容量 Mud Tank Capacity (m³)	3
泥浆外形尺寸 Dimension of Mud Tank (L×W×H)(mm)	2450×1400×1550

整机外形尺寸 Overall Dimension



恒天九五重工有限公司
CHTC JOVE HEAVY INDUSTRY CO., LTD

地址: 湖南长沙经济开发区东六路3号 邮编: 410100

☎ 0731-83990095 ☎ 0731-82398627 (国内业务)

✉ chtcjove@chtcjove.com

Address: No.3, Dongliu Rd. Changsha Economic Development Zone, Hunan, China. Post code: 410100

☎ 0086-731-82398696 ☎ 0086-731-82398697 (International business)

✉ international@chtcjove.com

www.chtcjove.com