



旋挖钻机
 Rotary Drilling Rig

恒天九五重工有限公司
 CHTC JOVE HEAVY INDUSTRY CO., LTD

地址: 湖南邵阳市宝庆西路 162 号 邮编: 422000

☎ 0739-5672345 0731-84071368

📧 0739-5365317 (国内业务) ✉ rotary@chtcjove.com

Address: No.3, Dongliu Rd. Changsha Economic Development Zone, Hunan, China.
 Post code: 410100

☎ 0086-731-82398696 📠 0086-731-82398697 (International business)

✉ International@chtcjove.com

www.chtcjove.com

恒天九五重工有限公司保留不断完善的权利。对产品的部分改动恕不另行通知。本页图档仅供参考，不作为法律依据。

HT-41602012027



惠悦于民 恒达天下
FOR THE PEOPLE, FOR THE LIFE



企业简介 Company Profile

恒天九五重工有限公司, 是央企中国恒天集团有限公司所属企业, 是国家重点支持的, 以设计、生产、销售工程机械、新型纺织机械和新材料装备为主业的高新技术企业。公司自 2007 年 2 月创立以来, 凭借不断创新的技术和以人为本的管理迅速崛起, 从成立当年 3.4 亿元销售产值发展到 2011 年 16 亿元销售产值, 总资产 20 亿元。公司主营的工程机械、新型纺织机械和新材料装备, 所有产品符合国家战略发展规划和装备制造业发展规划鼓励方向。工程机械主要有挖掘机、静力压桩机、长螺旋钻机、旋挖钻机、多功能钻机、水平定向钻机; 新型纺织机械和新材料装备主要有高技术、低能耗、低排放新型染整成套设备和碳纤维、高分子聚乙烯、高强高模碳纤维、芳纶涤纶短纤维材料等新材料成套设备。产品性能稳定可靠, 在行业中处于国内领先地位, 畅销全国, 出口全球 30 多个国家和地区。

公司系国家“重点高新技术企业”、“湖南省推进新型工业化‘双百’工程项目企业”、湖南省“重点建设项目”企业; 公司拥有一个国家级技术中心分中心, 3 个省级技术中心, 一个省级工程中心, 申请专利 300 多项, 178 项已获授权; 公司先后承担国家级、省级科研项目 20 多项, 多次获得政府知识产权方面的奖励, 多项科技创新成果居国内领先, 多项产品获国家标准化委员会颁发的《采用国际标准产品标志证书》, 先后主持和参与制定工程机械、纺织机械产品国家标准 10 多项, 企业研发能力与生产能力、发展速度和成长性在湖南省工程机械行业和全球纺织机械行业中名列前茅。

2012 年, 公司在长沙经开区东十一路占地 300 亩的“恒天九五产业园”即将建成投产, 而占地 1500 亩的更大规模的恒天九五工业城正在规划中。“十二五”期间, 恒天九五重工将紧紧围绕装备技术研发和企业核心竞争力这条主线, 大力发展挖掘机、桩工机械、非开挖设备、新型纺织机械、新材料装备、包装机械和农业机械等产业项目, 到“十二五”末, 实现年销售收入超过 100 亿, 充分利用中国恒天集团的资源优势, 产业全面升级, 做强做优, 将公司打造成为国际一流企业。

CHTC JOVE HEAVY INDUSTRY CO., LTD. is the subsidiary of State-owned Corporation CHTC Group and a national support high-tech enterprise in research, production and sales for construction machinery, new textile machinery and new materials equipment. CHTC JOVE has developed quickly based on its advanced technology and human-oriented management. The output value grows from 340 million RMB since establishment in the year of 2007 to 1.6 billion RMB in the year of 2011. Total assets reach up to 2 billion. CHTC group's major products including construction machine, textile and new materials machine all meet the national strategic plan and future development direction. Construction machine series cover excavator, static hydraulic pile driver, long spiral drilling rig, rotary drilling rig, multi function drilling rig and horizontal directional drilling rig. Textile and new materials machines are high-tech, low-power, low emissions of new dyeing equipment and carbon fiber, polyethylene, high strength modulus vinylon, aramid fibers, polyester staple manufacturing equipment. With stable and reliable performances, we enjoy high reputation in those areas and products sold well domestic and abroad.

As a high-tech group in China, CHTC JOVE is the member of Double-hundred new industrialization plan, Provincial Priority Support Company. It owns one national-class institution, three provincial institutions, applied for over 300 patents and 178 of them get the authority. Moreover, it has undertaken more than 20 research projects and won government awards on intellectual property issued by the State Committee of Standardization and adopted International Standard Product Manufacturing Certificate, participated in formulating more than 10 national standards on construction machinery and textile machinery. R & D capabilities, production capacity and growth rate are made remarkable achievements.

In the year of 2012, located in East 11 Rd, Changsha Economic Development Zone, covers an area of 200,000 m² of "CHTC JOVE Industrial Park" will be put into operation, while the larger area of 1,000,500 m² of the "CHTC JOVE industrial city" is under planning. During the 12th Five-Year Plan, CHTC JOVE will constantly develop and improve our excavator, piling machinery, non-excavation equipment, new textile machinery, new materials equipment, packaging machinery and agricultural machinery. At the end of the 12th Five-Year Plan, the annual sales income will achieve more than 10 billion RMB. With the advantage of CHTC Group, our goal is to build a world-class enterprise by comprehensive industrial upgrading.

公司荣誉 Company Honors

公司是湖南省“高新技术企业”、“湖南省推进新型工业化‘双百’工程项目企业”、湖南省“重点建设项目”企业、湖南省2010年度“小巨人”计划企业、长沙市“成长之星”企业、湖南省著名商标，分别是湖南省科技厅和长沙市科技局的“科技计划项目企业”，2008年和2009年有4个项目获科技部“科技型中小企业技术创新基金”中立项支持。

CHTC JOVE Heavy Industry Co., Ltd. is a high-tech group in China. CHTC JOVE is the member of Double-hundred New Industrialization plan, Provincial Priority Support Company and also the super new star in China construction machinery industry. JOVE brand is listed on China famous brand. We have 4 projects getting political and financial support from the national Ministry of Science and Technology in 2008 and 2009.

权威认证 品质保证 Authority Certification, Quality Assurance

公司按照 GB/T19001-2000idt ISO9001: 2000 质量管理体系标准，建立、实施和保持质量管理体系，已获得《ISO9001 质量管理体系认证证书》、申请专利 300 多项，178 项已获授权；公司先后承担国家、省、部级科研项目 20 多项，多次获得政府知识产权方面的奖励，科技创新成果居国内领先，多项产品获国家标准委员会颁发的《采用国际标准产品标志证书》。

In accordance with GB/T19001-2000idt ISO9001: 2000 quality management system standards, our company establish, implement and maintain the quality management system. We have obtained "ISO9001 quality management system certification", applied for 300 patents (more than 178 patents have been approved, and half of them are invention patents) and got intellectual property prizes. Scientific and technological innovation is moving ahead and a number of our products are awarded "Adopting International Standard Certificate" issued by the State Committee of Standardization.

高素质的研发团队 Advanced R & D Team

公司拥有高素质的技术开发团队，荟萃了一批国内外知名工程机械企业的精英人才，处于行业领先水平。取得多项专利证书，并与多所高校的产学研合作，为企业的可持续发展提供强有力的保证。

With a skilled technical development team and a number of well-known talents in construction machinery area, we are standing at the leading level. We get a number of patent certificates and cooperate with colleges and universities, which provide the sustainable development of our enterprises.



强大的营销服务网络 Efficient Marketing & Service Network

公司拥有强大的销售与服务队伍，以客户为首要服务目标，销售与服务网点遍布中国及全世界各主要城市，形成了完善的销售与网络体系。恒天九五以最快捷的速度、最过硬的技能、最诚挚的态度迎来了每一位恒天九五产品用户的好评。

CHTC JOVE has strong sales and service teams. Sales and service outlets are in major cities in China and also around the world. With efficient service, excellent skills and sincere attitudes, CHTC JOVE gets very good reputation from customers.

拥有一批世界先进机械加工与检测设备 Installed with world advanced testing and machining units



500T 折弯机 500T Bending Machine



等离子切割机 Plasma Cutting Machine



剪板机 Guillotine Shears



深孔钻 Deep Hole Boring



数控车床 NC Lathe



镗床 Boring Machine



磨床 Grinder



德国产激光切割机 German Laser Cutting



自动焊机床 Automatic Welding Machine

构筑世界的基石

Build World Foundation



卡特彼勒底盘与上车 CAT Undercarriage & Up Structure

卓越的设计理念，拥有可靠的系统与强劲的动力及可拓展性履带，能适应各种复杂工况，具有经济、高效、环保、稳定等多重特点。

CHTC JOVE JVR series rotary drill rig have excellent design concept, reliable system, strong power and self-extendable undercarriage which insure operation in complicated jobsites. Heavy hydraulic telescopic crawler is very stable and flexible, especially suitable for narrow jobsites. JVR series rotary drill rig enjoy economic, efficient, environment friendly, stable performance and other features.



动力系统 Power System

原装卡特彼勒电喷发动机，拥有强大动力和高扭矩，直列电喷、涡轮增压，卡特自带的电控系统，可使发动机在每个转速档位发挥最大动力，在同样的作业条件下，可比国内外同功率的设备节约10%。

Original CAT EFI engine has strong power and strong torque. Electrical fuel direct injection turbo intercooler merged with CHTC core technology in electricity system which ensures the engine produces strong power in each gear. CHTC JOVE Rotary Drill Rig could save 10% fuel consumption comparing the same model equipment under the same work condition.

液压系统 Hydraulic System

采用国际先进的设计理念，液压先导，比例操作；主、辅液压系统采用负流量与负载敏感结合控制，实现了流量的按需分配，保障了系统的传动效果，使设备运行更可靠、更经济、更高效、更节能。

JVR series rotary drill rig absorb international advanced design concept, use top international brands for key parts, hydraulic pilot, scale operation. Advanced main & auxiliary hydraulic system realizes flow allocation & sensitivity loading according to the operation demand and also the drive function. These features offer more reliable, more economic, higher efficient and more energy save in the construction process.

电控系统 Electricity System

电气系统主要部件均采用德国或芬兰著名品牌，工程机械专用的控制器，对发动机、油泵、主阀以及控制手柄进行协调控制，在实现优越的操控性能同时，实现了工作过程中的高效、节能、环保；

The key parts in electricity system come from Germany or Finland famous brands. Professional construction machinery controller adjusts and controls the engine, pump, main valve and operation handle's work. At the same time, the electricity system realize efficiency, energy save and low pollution for the equipment.

独特设计的高智能故障监控系统，能准确的判断故障来源；Unique design in intelligent inspection system has the ability to check the malfunction reason.

高精度的传感器确保钻机在施工过程中的精密测量和监控各个工况动作。

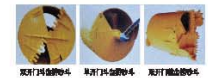
High precision sensor insures drill rig's precision measurement and inspects whole work process.



驱动装置 Drive Device

恒天九五 JVR 系列旋控钻机采用专业厂家生产的动力头配备世界著名品牌邦飞利或布雷维尼减速机，采用重型避震弹簧，各种减震橡胶、减震器等多级减震设计，安全可靠，让施工更安心。

CHTC JOVE JVR series rotary drill rig adopt professional rotary table which equips BONFIGLIOLI or BREVINI reducer. Heavy damping spring, different kinds of multilevel shock absorption design grants safe operation.



施工工法支持 Construction Method

我们热情为用户提供免费选型咨询，根据施工地质条件以及用户施工需求，为用户提供钻杆与钻具的配置建议，减少因设备配置不当而造成的施工效率低下，甚至造成设备无谓损害的情况发生。

CHTC JOVE has professional team to support our customer to select the right equipment model. The Kelly Bar and tools configuration based on the earth structure and construction requirements so as to improve the work efficiency and avoid damage to the equipment.

JVR180D 旋挖钻机 JVR180D Rotary Drill Rig

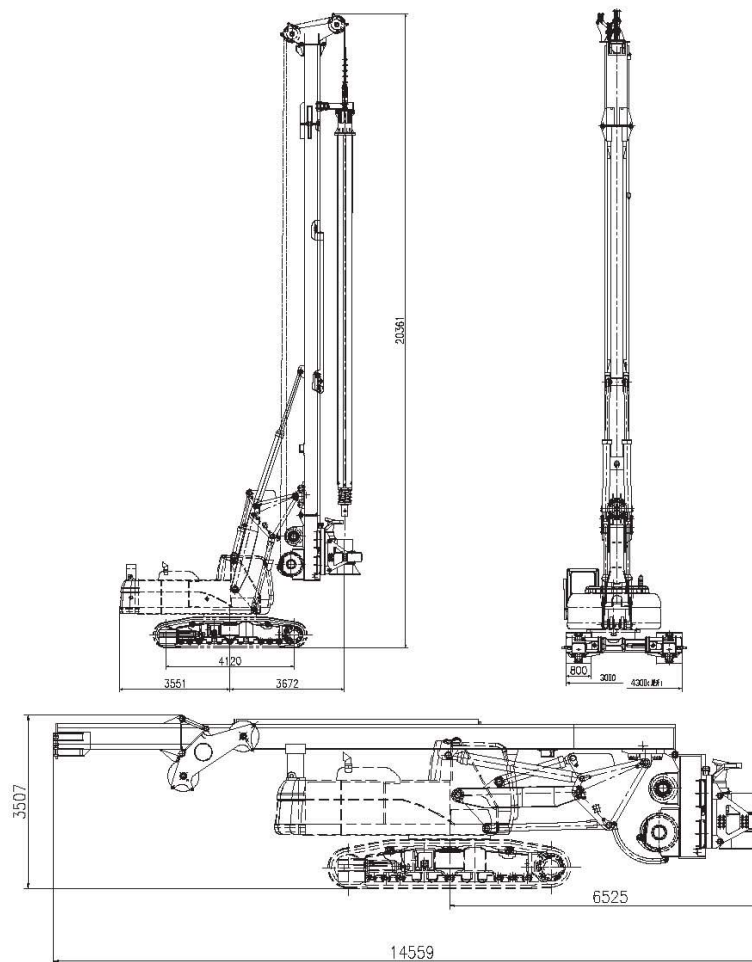
产品性能 Product Features

- 具有完全自主知识产权，拥有多项发明专利，精心设计，高端配置，拥有高性价比、高效率、高可靠性、安全、节能环保的特点。
Independent intellectual property rights reserved. The equipment enjoys more reliable, more economic, higher efficient, environment friendly and more energy save and other advantages.
- CAT329D 加强型底盘，采用重型液压可伸缩履带，具有超强稳定性，机动性好，适合在受限区域作业。
CAT329D undercarriage and heavy hydraulic telescopic crawler & self-extendable undercarriage insure strong stability and flexibility. Especially meet narrow jobites construction requirement.
- CAT 原配发动机，动力强劲，性能卓越，足以满足各种工况要求；欧 III 排放标准，三合一冷却方式，更高效、更节油、更环保。
Original CAT EFI engine have strong power and excellent performance which can work in different complicated jobites. Euro III emission standard engine merged with CHTC core technology in cylinders insure stable performance.
- 恒天专利——上置变幅油缸，在方便安装与检修前提下，更优化了旋挖钻机的使用性能。
CHTC JOVE patent amplitude cylinder is very easy to inspection and maintenance which makes the equipment's performance perfectly.

技术参数表格 Technical Specification

最大输出扭矩 Max. output torque (kN.m)	180
最大钻孔深度 Max. drilling depth (m)	60
最大钻孔直径 Max. drilling diameter (mm)	1800
发动机生产厂家 Engine brand	CAT
发动机型号 Engine model	C-7 电喷 C-7 EFI
发动机功率 Engine power (kW)	187
底盘型号 undercarriage model	CAT329D
牵引力 Traction force (kN)	420
钻孔转速 Drilling speed (rpm)	8-28
最大加压力 / 总推力 Max. crowd push force (kN)	180/200
加压系统行程 Stroke of sledge (mm)	4500
主卷扬提升力 (第一层) Main winch pul(1st layer)	190
主卷扬绳直径 Main winch wire rope dia. (mm)	Φ26
主卷扬提升速度 Max. main winch line speed (m/min)	72
副卷扬提升力 (第一层) Aux. winch line pul(1st layer) (kN)	100
副卷扬绳直径 Aux. winch wire rope dia. (mm)	Φ18
副卷扬提升速度 Aux. winch line speed (m/min)	62
工作状态设备宽度 / 高度 Overall width in drilling position (mm)	4300/20361
运输状态设备长度 / 宽度 / 高度 Overall L/H/W transport position (mm)	14558/3000/3507
总重量 (含钻杆) Total weight (t)	60

JVR180D 旋挖钻机机械制图 JVR180D Rotary Drill Rig Technical Drawing



JVR280D 旋挖钻机 JVR280D Rotary Drill Rig

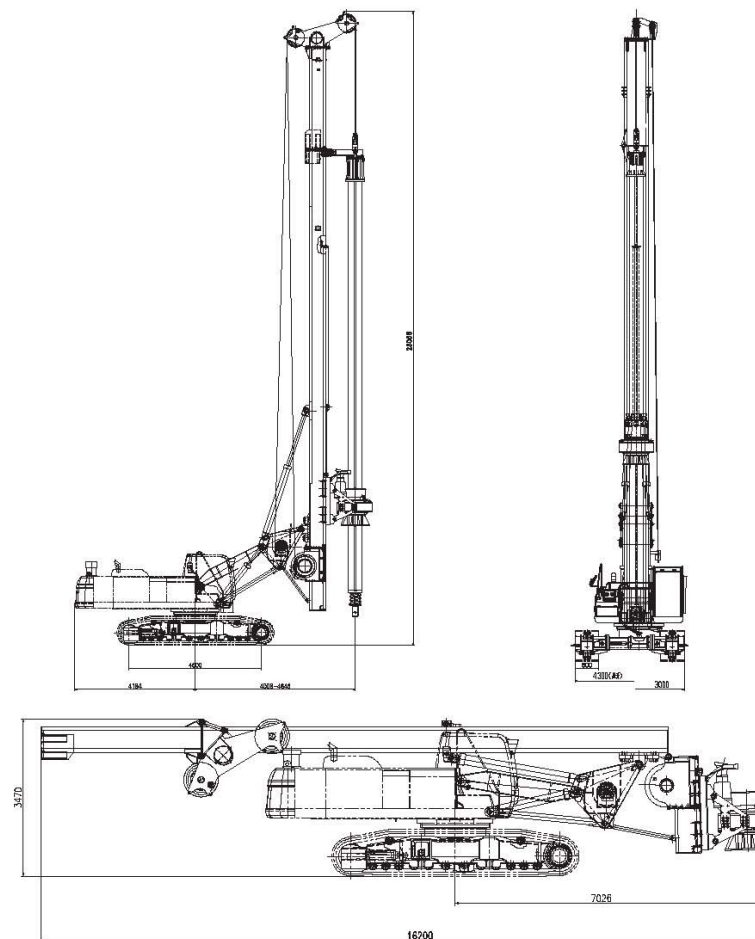
产品性能 Product Features

- 主卷扬布置在桅杆的最下部，十分便于观察走绳，采用双折线绳槽卷筒，使各层之间的负荷均匀分布，大大延长了钢丝绳的使用寿命，提高施工安全性。
Main winch located at the bottom of the drilling mast which offer good angle for checking line's work. Unique design in the line roll could prolong the use life of the steel line and also enhance the construction safety.
- 液压系统使用先进的负载反馈技术，可使流量按需分配到系统各个工作装置，实现各种工况下的最佳匹配，泵、马达、阀、油管及管接头均采用进口产品，确保高可靠性。
Hydraulic system adopts advanced load-feedback technology. Realizing hydraulic liquidity allocate to different parts according to the operation demand. Top key parts guarantee high reliability, such as pump, motor, valve, pipe and joint come from international top brands.
- CAT336D 底盘和上车，履带间距在 3000-4300mm 之间调整，将卡特配置后移，增加配置重量，提高整机的稳定性和可靠性。
Configuring CAT336D undercarriage and up structure. The crawler could adjust between 3000mm and 4300mm. The customers could backward the counterweight and increase its weight also for improving the stability and reliability.

技术参数表格 Technical Specification

最大输出扭矩 Max. output torque (kN.m)	280
最大钻孔深度 Max. drilling depth (m)	85
最大钻孔直径 Max. drilling diameter (mm)	2500
发动机生产厂家 Engine brand	CAT
发动机型号 Engine model	C-9 电喷
发动机功率 Engine power (KW)	261
底盘型号 undercarriage model	CAT336D
牵引力 Traction force (kN)	510
钻孔转速 Drilling speed (rpm)	8-24
最大加压力 / 挤压力 Max. crowd push force (kN)	185/200
加压系统行程 Stroke of sledge (mm)	5600
主卷扬提升力 (第一层) Main winch pul.(1st layer)	240
主卷扬绳直径 Main winch wire rope dia. (mm)	Φ30
主卷扬提升速度 Max. main winch line speed (m/min)	65
副卷扬提升力 (第一层) Aux. winch line pul.(1st layer) (kN)	110
副卷扬绳直径 Aux. winch wire rope dia. (mm)	Φ20
副卷扬提升速度 Aux. winch line speed (m/min)	70
工作状态设备宽度 / 高度 Overall width in drilling position (mm)	4300/23058
运输状态设备长度 / 宽度 / 高度 Overall L/H/W transport position (mm)	16200/3000/3470
总重量 (含钻杆) Total weight (t)	80

JVR280D 旋挖钻机机械制图 JVR280D Rotary Drill Rig Technical Drawing



JVR360D 旋挖钻机 JVR360D Rotary Drill Rig

产品性能

Product Features

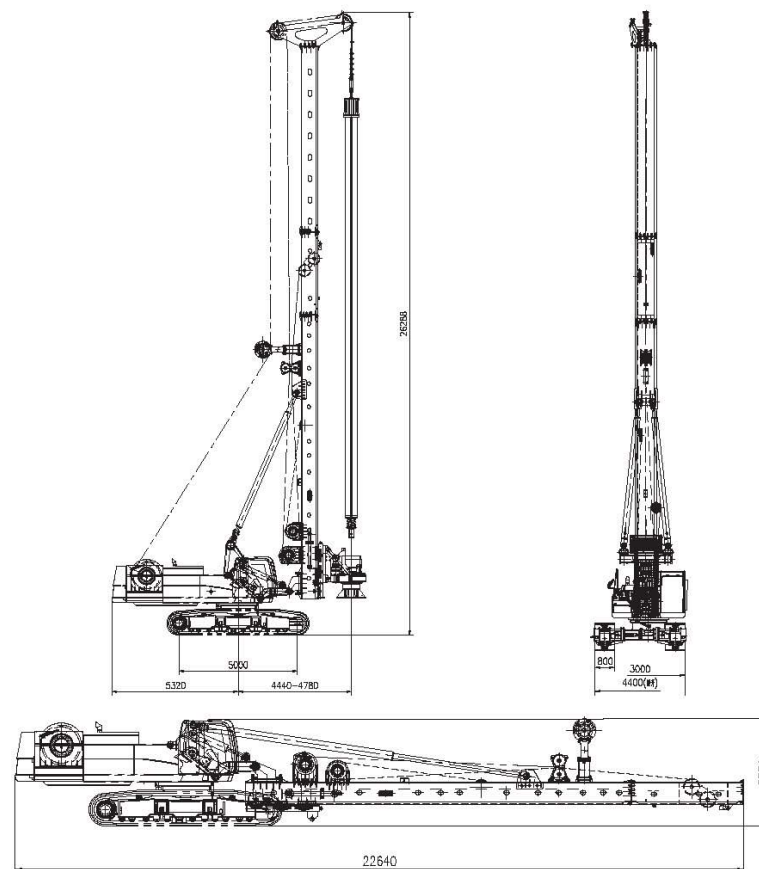
- 主卷扬：“一筒双机”，确保动力强劲，作业效率高；大卷筒单层绳布局，有效提高钢丝绳使用寿命；恒天九五专利——鼓形调心机座，使减速机寿命提高 200%。**
 Main winch include one roll & double motors which offers strong power and high work efficiency. Big roll & single line layer design could priong the use life of steel line remarkably. CHTC JOVE' s patent roll base could priong its use life 200% comparing with traditional design.
- 动力头：成熟的卷扬加压技术与三马达减速机驱动，动力十足。**
 The big triangle design in luffing framework keeps the drilling mast' s litter distortion and insures the stability. High precision drilling mast balance technology guarantee the pile quality.
- 大三角变幅机构提高支撑位置，减少桅杆变形，保证桅杆稳定性；高精度桅杆调平技术，提高了成孔精度。**
 The big triangle design in luffing framework keeps the drilling mast' s litter distortion and insures the stability. High precision drilling mast balance technology guarantee the pile quality.
- 恒天九五专利——主卷扬钢丝绳可旋转背滑轮，自动调整最优位置，有效释放了钢丝绳导向过程中产生的应力，在相同负荷条件下，使钢丝绳的使用寿命提高约 30%。**
 Patent pulley in main winch could adjust to the right position automatically. The rebound force which comes from the work process can be released effectively. The use life of the steel rope could be prionged 30% more under the same load.

技术参数表格

Technical Specification

最大输出扭矩 Max. output torque (kN.m)	360
最大钻孔深度 Max. drilling depth (m)	96
最大钻孔直径 Max. drilling diameter (mm)	2500
发动机生产厂家 Engine brand	CAT
发动机型号 Engine model	C-13 电喷 C-13EFI
发动机功率 Engine power (KW)	305
底盘型号 undercarriage model	CAT345D
牵引力 Traction force (kN)	710
钻孔转速 Drilling speed (rpm)	0-24
最大加压力 / 挤压力 Max. crowd push force (kN)	365/365
加压系统行程 Stroke of sledge (mm)	10000
主卷扬提升力（第一层）Main winch pul.(1st layer)	320
主卷扬绳直径 Main winch wire rope dia. (mm)	Φ36
主卷扬提升速度 Max. main winch line speed (m/min)	65
副卷扬提升力（第一层）Aux. winch line pul.(1st layer) (kN)	120
副卷扬绳直径 Aux. winch wire rope dia. (mm)	Φ20
副卷扬提升速度 Aux. winch line speed (m/min)	75
工作状态设备宽度 / 高度 Overall width in drilling position (mm)	4400/26286
运输状态设备长度 / 宽度 / 高度 Overall L/H/W transport position (mm)	22840/3000/3339
总重量（含钻杆）Total weight (t)	95

JVR360D 旋挖钻机机械制图 JVR360D Rotary Drill Rig Technical Drawing



JVR400D 旋挖钻机 JVR400D Rotary Drill Rig

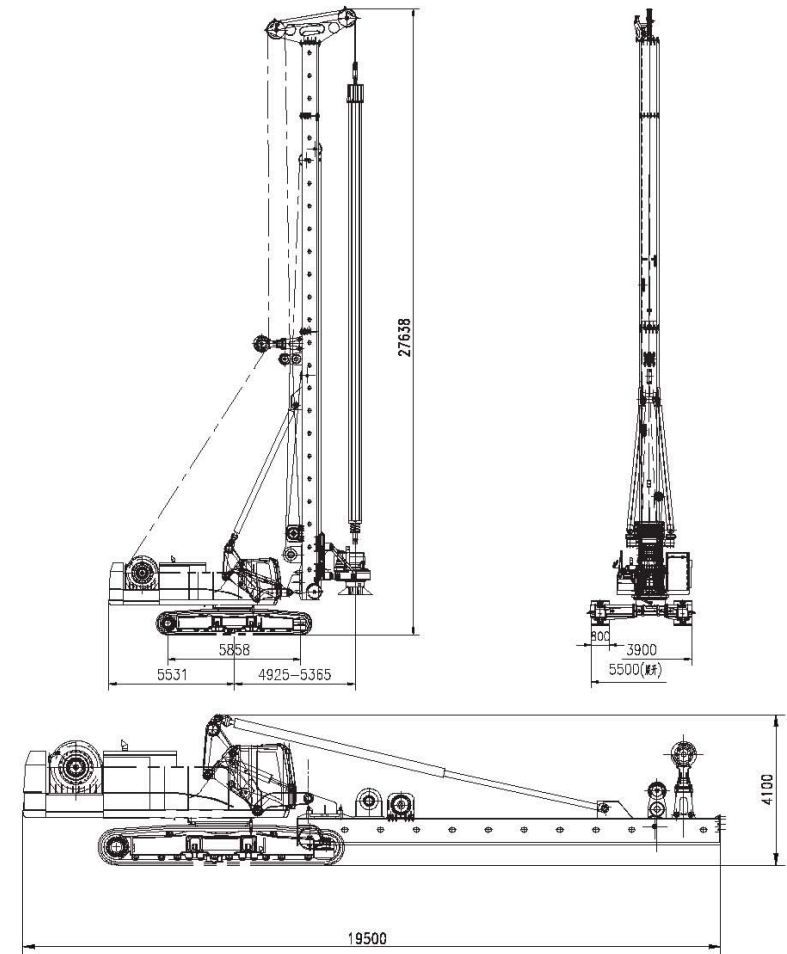
产品性能 Product Features

- 主卷扬采用双马达、双减速、单层大卷筒配置，在保证提升力和速度前提下，钢丝绳的单层缠绕大大提高了钢丝绳使用寿命；导向滑轮架可完成两个自由度的动作，自动调整最优位置保证主卷钢丝绳通过，增强钢丝绳的使用寿命。
Main winch located at the bottom of the drilling mast which offer good angle for checking line's work. Unique design in the rail could prolong the use life of the steel line and also enhance the construction safety. Excellent design in pulley could adjust the steel line in the best position and also enhance the reliability.
- 施工钻进采用卷扬加压，最大加压力、起拔力达到 44 吨，加压行程最大可达 14 米，可实现多种工法施工。
Supercharging technique make the crowd pull force reach 44T and its crowd stroke reach 14m. This design can meet many kinds for construction methods.
- 原 CAT374D 底盘和上车，履带中心距在 2900-4500mm 之间调整，将卡特配重后移，增加配重质量，提高整机的稳定性和可靠性。
Original CAT374D engine and up structure. The crawler could adjust between 2900mm and 4500mm. The customers could backward the counterweight and increase its weight also for improving the stability and reliability.
- 液压系统关键部分沿用卡特比勒液压系统主控回路、先导控制回路，使用了先进的负载反馈技术，可使流量按需分配到系统各个工作装置，实现各种工况下的最佳匹配。先导控制使操作更加灵活、安全、舒适、准确。系统独立散热，泵、马达、阀、油管及管接头采用进口产品，确保高可靠性。
Key part in the hydraulic system is similar to CAT hydraulic loop. Advanced main & auxiliary hydraulic system realizes flow allocation & sensitivity loading according to the operation demand and also the drive function. These features offer more reliable performance in the construction process.

技术参数表格 Technical Specification

最大输出扭矩 Max. output torque (kN.m)	400
最大钻孔深度 Max. drilling depth (m)	106
最大钻孔直径 Max. drilling diameter (mm)	3000
发动机生产厂家 Engine brand	CAT
发动机型号 Engine model	C-15 电喷 C-15 ETF
发动机功率 Engine power (KW)	350
底盘型号 undercarriage model	CAT374D
牵引力 Traction force (kN)	898
钻孔转速 Drilling speed (rpm)	6-22
最大加压力 / 起拔力 Max. crowd push force (kN)	440/440
加压系统行程 Stroke of sledge (mm)	14000
主卷扬提升力 (第一层) Main winch pul(1st layer)	350
主卷扬绳直径 Main winch wire rope dia. (mm)	Φ40
主卷扬提升速度 Max. main winch line speed (m/min)	66
副卷扬提升力 (第一层) Aux. winch line pul(1st layer)	120
副卷扬绳直径 Aux. winch wire rope dia. (mm)	Φ20
副卷扬提升速度 Aux. winch line speed (m/min)	75
工作状态设备宽度 / 高度 Overall width in drilling position (mm)	5500/27638
运输状态设备长度 / 宽度 / 高度 Overall L/H/W transport position (mm)	19500/3900/4100
总重量 (含钻杆) Total weight (t)	132

JVR400D 旋挖钻机机械制图 JVR400D Rotary Drill Rig Technical Drawing



服务 Service

■ 售前服务 Before-sale Service

及时答复用户的各种产品咨询和技术咨询。
Provide a variety of products and technical advice to customers timely.

热忱欢迎用户派人来公司考察。
Customers are warmly welcome to CHTC JOVE factory to inspect manufacturing sites.

全力当好用户产品选型参谋助手。
To be a good assistant for helping our customers select products.

根据用户特殊要求设计个性化产品。
Design products according to our customers' personalized requirements.

■ 售中服务 In-sale Service

严格履行合同，及时、保质、保量交付产品。
Strictly abide the sales contract, guarantee quality & quantity and delivery time.

邀请用户对产品制造质量进行监督。
Invite customers to inspect the machinery before delivery.

■ 售后服务 After-sale Service

在全球主要区域均有合作伙伴及服务网络。
Local partners and service net are available around the world.

首次免费派人现场安装调试新产品、为用户培训操作及维护人员。
Send professional engineers to install and commission new machine at job site for the first time. Offer training for operation and maintenance.

提供易损件清单供客户选择，及时提供配件及技术支持。建立设备质量维护电子档案。
Offer wearing spare parts list for customers' reference and supply technical support on time. Establish electronic records for machine maintenance.

统一的售后质量保证书，严格按质保条款进行售后服务。
Standard international quality warranty and strictly exert according to the warranty agreement.

全天候开通售后服务电话，接到故障通知，国内24小时内派员去现场服务，国际的是通知当地的服务网点。
Service line is available for 24 hours. The technician will be sent to the job site within 24 hours in domestic market. For overseas market, local service partner will offer service and technicians from CHTC JOVE also available.